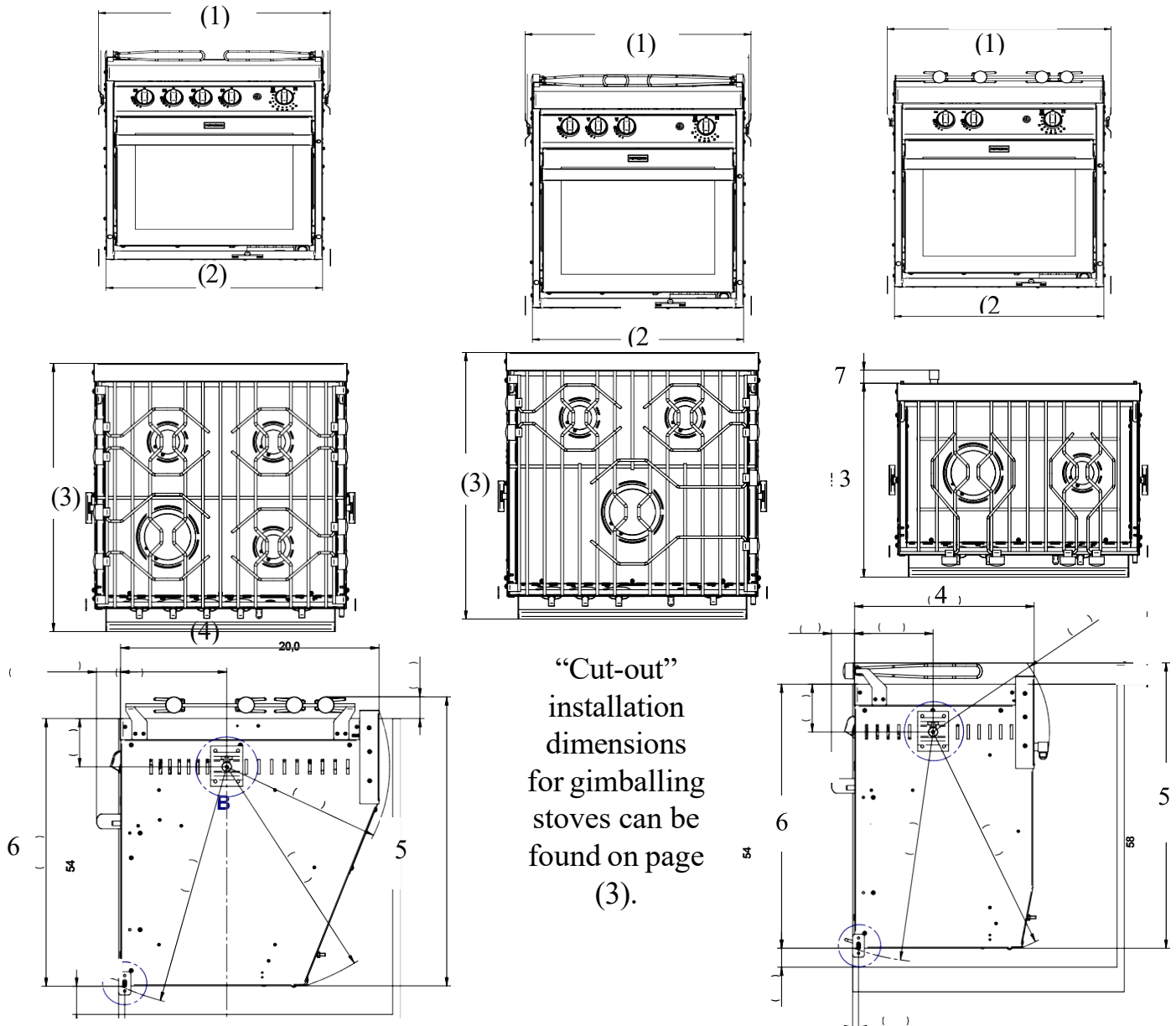


Whether you're replacing an existing stove or planning an installation in a new vessel it can often be difficult to determine whether the stove will fit in the available space. Please see pages 2 to 5 for more information about how to measure your cut-out and choose the correct size stove. Trim kits are available for built-in installations see page (2) for details and installation dimensions. Detailed installation dimensions diagrams are also available: email sales@oceansolutions.com.au or call us at 07 3807 6033 for assistance prior to ordering.

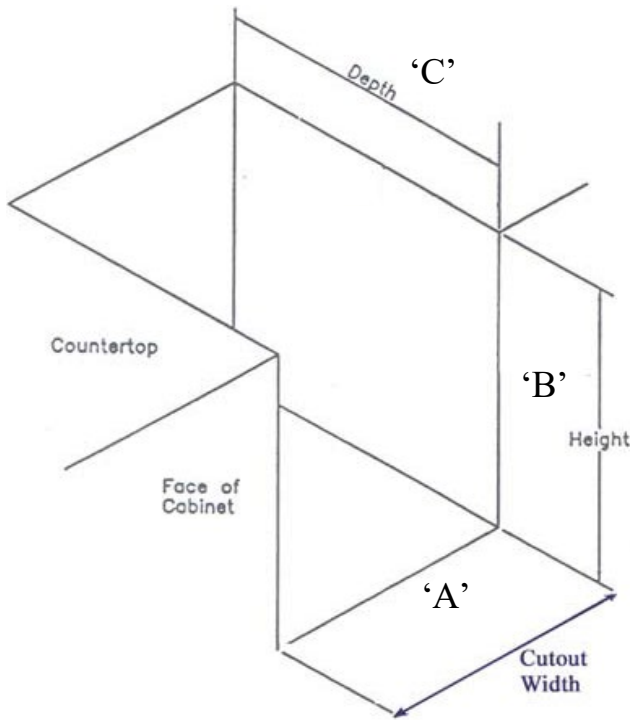
Diagram # >>>>>		Overall Dimensions (mm's)						
Model	# of Top Burners	1 Width	2 Width (ex. mounts)	3 Depth	4 Depth (excluding handle)	5 Height	6 Height(excluding pot clamps)	7 Gas Fitting
A21	2	548	522	417	370	589	546	28
A22	2	507	482	417	370	589	546	28
A24 A	2	459	433	417	370	532	488	28
A24 B	2	507	482	417	370	532	488	28
A42 (NLA)	2	484	459	459	411	557	513	41
A31	3	548	522	556	509	589	546	N/A
A32	3	507	482	556	509	589	546	N/A
A41	4	548	522	556	509	589	546	N/A

Overall Dimensions - Dimensions for the Force 10's we stock are shown below. Important Note: Unless you are replacing an existing Force 10 stove do not use the measurements of the old stove. Due to the position of the gimbal points etc. the size of the old stove is irrelevant.



These kits are designed for catamarans, stable power vessels and carans that don't require a gimbaling stove. Built-in trim kits are available for all stocked models. These kits consist of heavy gauge stainless steel flanges that bolt to the sides of the stove. The flanges support the weight of the stove and cover the cutout for a neat installation. Cabinetry must be strong enough to support the weight of the stove and adequate ventilation must be provided.

Easy to install - Just make your cut-out in the cabinetry as shown below and slide the stove into place. A few screws on either side complete the installation. There's no need to finish the edges of your cut-out: the flanges cover these for a neat tidy installation.



Note: The flanges hang over the cutout and support the weight of the stove: therefore the cut-out dimensions are **less** than the overall dimensions of the stove.

"Cutout" Dimensions for built-in intallation (mm's)					
Model	# of Top Burners	Cutout can be reduced to 'A2' if gimbal knobs are removed prior to installation.			
		A1	A2	B	C
A21	2	550	532	395	375
A22	2	510	492	395	375
A24 A	Not applicable				
A24 B					
A42 (NLA)					
A31	3	550	532	533	500
A32	3	510	492	533	500
A41	4	590	530	533	500

Force 10 Marine Gourmet Galley Ranges

Installation considerations and dimensions guide for Gimbaling stoves

Whether you're replacing an existing stove or planning an installation in a new vessel it can often be difficult to determine whether the stove will fit in the available space. The following guide will help you plan your installation and decide which stove will fit in the space you have available. The cutout dimensions below give the recommended space required for installation but there are a number of considerations that may allow you to fit a stove that seems too big or too small to swing properly in your available space.

Note:

Unless you are replacing an existing Force 10 stove do not use the measurements of the old stove. Due to the position of the gimbal points etc. the size of the old stove is irrelevant. What's important is the distances between the surrounding cabinetry; the "cutout dimensions".

Please read the guide below **before** measuring your cut-out dimensions.

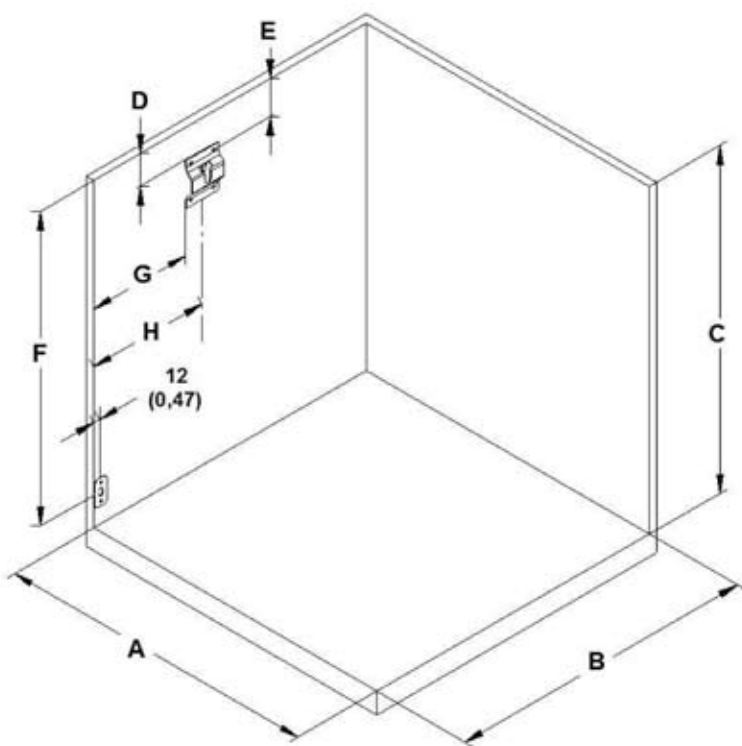
Built-in Installations

The following guide pertains to gimbaling installations only. If you're not planning on swinging the stove on its gimbals, built-in trim kits are available for a fixed installation. **Built-in installations are covered on page (2).**

Cut-out Dimensions - the "cut-out" dimensions are the space required for the stove to swing in its gimbals.

There are a number of issues that can complicate your installation please see pages (4) & (5) for more information.

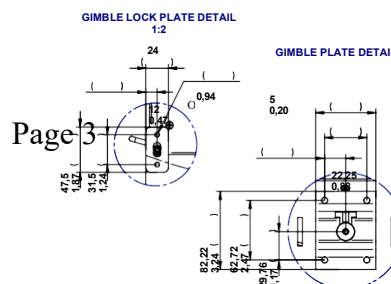
Model	# of Top Burners	"Cut-out" Dimensions for Installation for gimbal mount (mm)							
		A	B1	B2	C	D	E	F	G
A21	2	559	470	546	590	56	66	540	134
A22	2	517	470	546	590	56	66	540	134
A24 A	2	470	445	521	533	56	66	483	134
A24 B	2	517	445	521	533	56	66	483	134
A42(NLA)	2	495	495	572	559	56	66	508	156
A31	3	559	540	578	595	56	66	540	182
A32	3	518	540	578	595	56	66	540	182
A41	4	559	540	578	595	56	66	540	182



Notes:

Cut-out depth 'B' assumes that the front of the stove is aligned flush with the front of the cabinet. B1 allows for a 15 degree gimbal swing, depth B2 allows for a 30 degree gimbal swing.

Cut-out height 'C' assumes that the top of the stove is aligned flush with the counter top. This dimension can be reduced by up to 50 mm if the mounting brackets are installed at the top of the cutout with the top of the stove above the counter. See our installation guide next page for more details.



1:2

63,5
2,60
44,5
1,75

Cut-out Width

The cutout width dimensions (“A”) given in the specifications on page (3) indicate the optimal width of the cutout. Your “cutout” width can be **less** than the optimal cutout by up to 7 mm. If your cut-out width is wider than dimension (“A”) timber spacers (user supplied) can be used to pack the mounting brackets out to the correct width. Remember that the mounts must support the stove as it swings so these mounts (and any spacers) must be securely bolted in place.

Diagram 1.

Often there will be a timber moulding that protrudes inside the cutout (illustrated below).

The distance between the timber mouldings at “B” can be up to 15 mm less than the overall width of the stove “A” because overall width includes the gimbal knobs that protrude out from the sides of the stove.

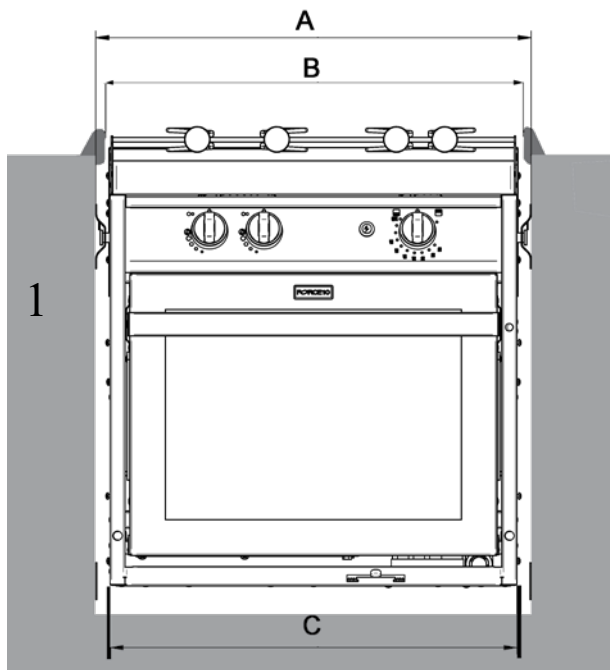
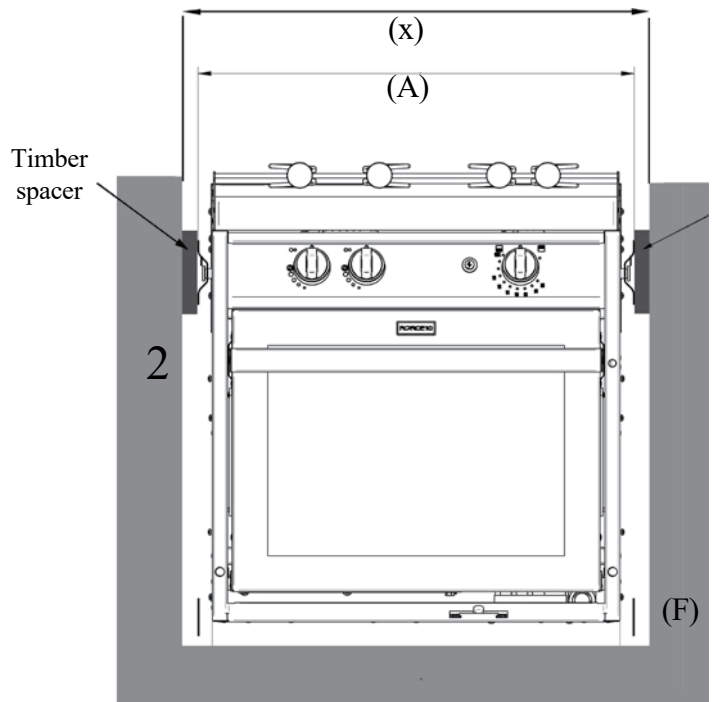


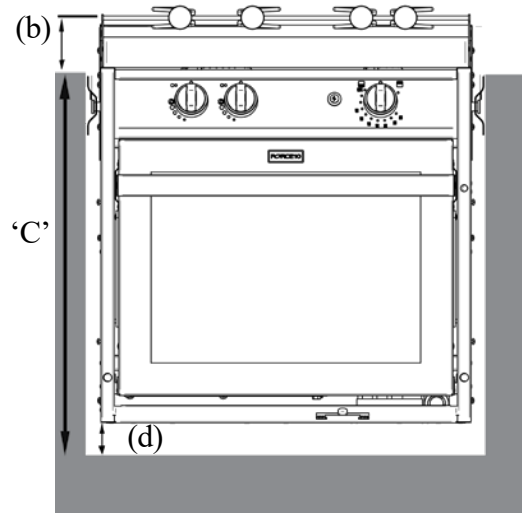
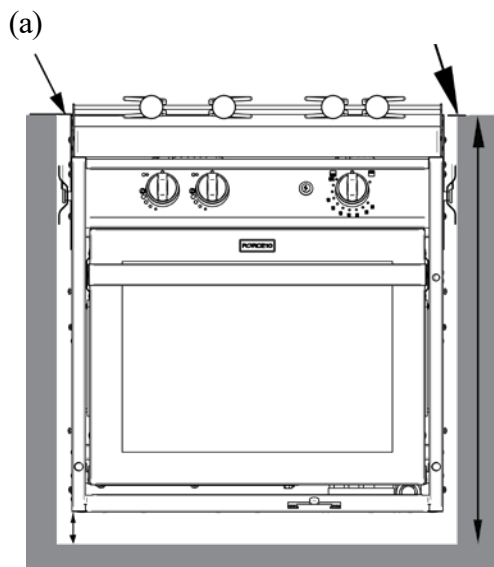
Diagram 2.

If your cutout is wider than the specified cutout width of the model you have chosen you may need to place timber spacers between the mounting plates and the sides of your cutout as illustrated below. Spacer thickness = the width of your cut-out (x) minus the specified cut-out width ‘A’ (from the table on page 3) of the stove. A spacer will also be required at ‘F’ for the gimbal lock.



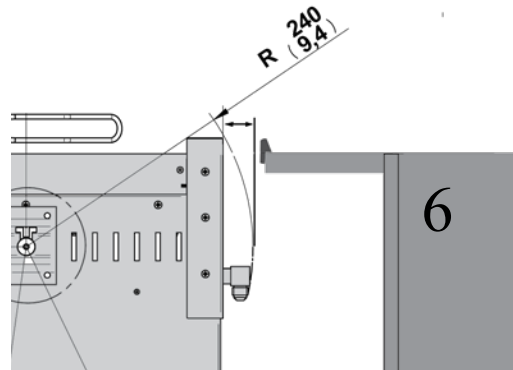
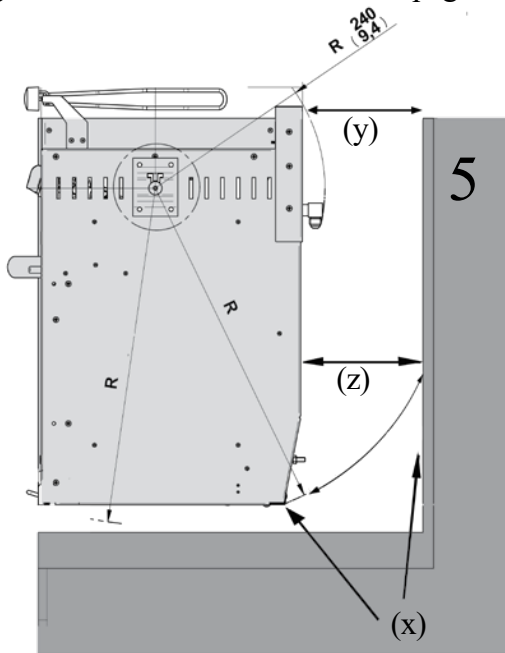
Cutout Height

The cutout heights (‘C’ in the specifications on page 3) assume that you will be installing your stove with its top level with the counter-top as illustrated at (a) below. If you have insufficient height in your cutout space the mounts can be positioned up to 50mm higher in the cut-out so the stove is positioned slightly above the counter (as illustrated at (b)). However the 50mm gap under the stove (d) must be maintained if you want your stove to swing the full 30 degrees in the gimbals.



Cut-Out Depth 2 Burner Models

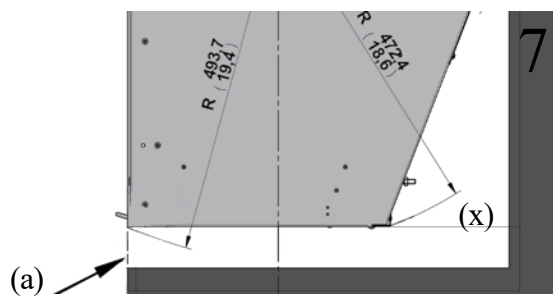
2 Burner Force 10's require a lot of space behind the stove at the bottom ('z' in diagram 5) so the back corner doesn't hit as the stove swings (x). The pivot point is near the top of the stove so only a small gap is required at the top (y). This allows cabinetry at the top back of the stove (diagram 6 below) to be within 35 mm of the stove provided there is sufficient swing room below at (x) & (z). The space required at (x) and (z) is given in the dimensions table on page 1 (columns B1 & B2).



If you have insufficient depth in your cut-out you can move the mounts out slightly from their normal position to give the stove enough room to swing as illustrated below at in diagram 8 at (b).

Cut-out depth 3 & 4 burner Models

3 & 4 burner Force 10's are angled at the back so they don't require as much extra space at the bottom to gimbal (x). The cut-out depth dimensions (B1 & B2 in the table on page 1) assume you will mount the stove with the front face flush to the front of the surrounding cabinetry as illustrated at (a) in diagram 7 below left.



If you have insufficient depth in your cut-out you can move the mounts out slightly from their normal position to give the stove enough room to swing as illustrated below at (b).

This will mean that the stove front is outside the front face of the cabinetry but in most installations this is acceptable because the slide-away door requires less space than alternative stoves.

