



ROTATING DINGHY DAVIT



DAME
NOMINATED
2016

The DAME Design Award is the most prestigious international design competition for new marine equipment and accessories.



The rings and the middle arc are shaped to enhance the looks of the stern. All of the stainless steel parts are made of mirror polished pipes.



Dinghy Rings is innovative, unique and patented. It's made in Sweden of the most appropriate material, AISI 316 stainless steel.

Designed for your convenience

The philosophy behind Dinghy Rings is simple – **enjoy your boat life with comfort and style**. That's why the rotating davit is discreet and detachable with an intuitive and unique design. Instead of lifting your dinghy aboard, deflating and inflating it or leaving it in the water, Dinghy Rings let you erect your dinghy in an easy and quick way to an upright position.

Reverse the dinghy astern of your boat, place the rear ends of the dinghy's pontoons in the rings, secure the dinghy and pull to erect it as the rings rotate. It hoists your inflatable in harbour or while cruising and it suits almost any motor boat or sailing yacht.

- **Convenient**, easily handled by one person
- **Discreet** and detachable
- **Gentle** to both boat and dinghy
- **Quick launch** in emergency situations
- **Affordable**, thanks to a simple and clever design

When standing, the dinghy **can't be flooded**, it takes almost no space, and even a **small engine can be kept mounted** under certain circumstances.



BOLD

Dinghy Rings BOLD is mounted under a wide external swim platform 110 –400 centimeters. All of the mountings are hidden and both the middle arc and the rings are detachable. Dinghy Rings supports inflatable dinghies up to 60 kilos or 3,5 meters.

Specifications: 57/50/25 mm stainless steel AISI 316, Polypropen, straps in UV-resistant polyester; weight 9 kilos.



FLEX

Dinghy Rings FLEX is hung over the stern, bow or side of a boat. It's adjustable in height and fits almost any boat. The accessory can be taken apart for storage and the soft foam parts can be used as extra fenders.

Specifications: 30/25 mm stainless steel AISI 316, straps in UV-resistant polyester, weight 4 kilos.

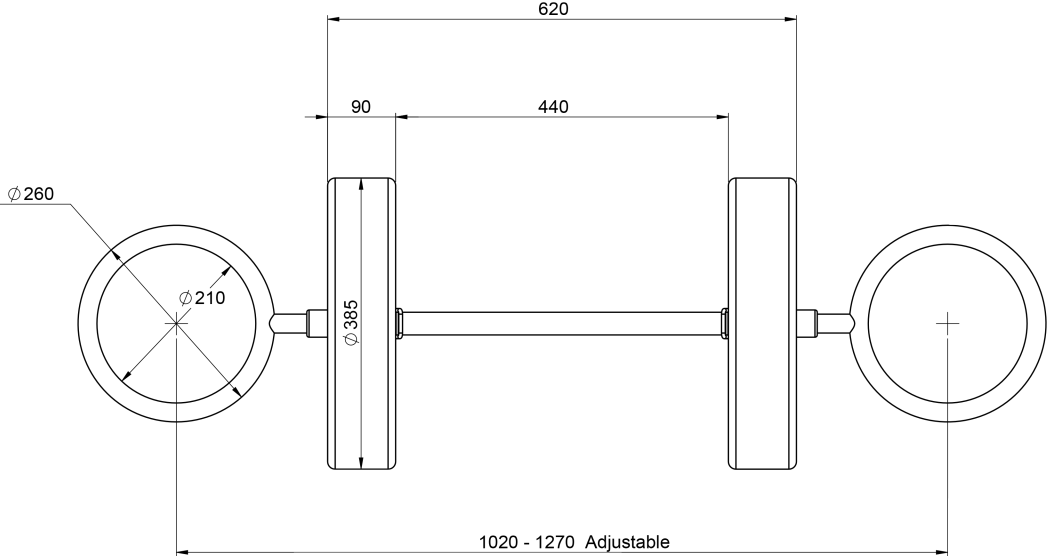
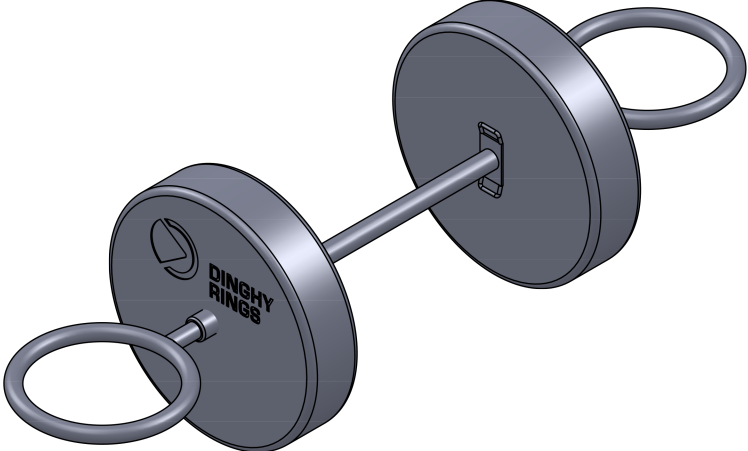


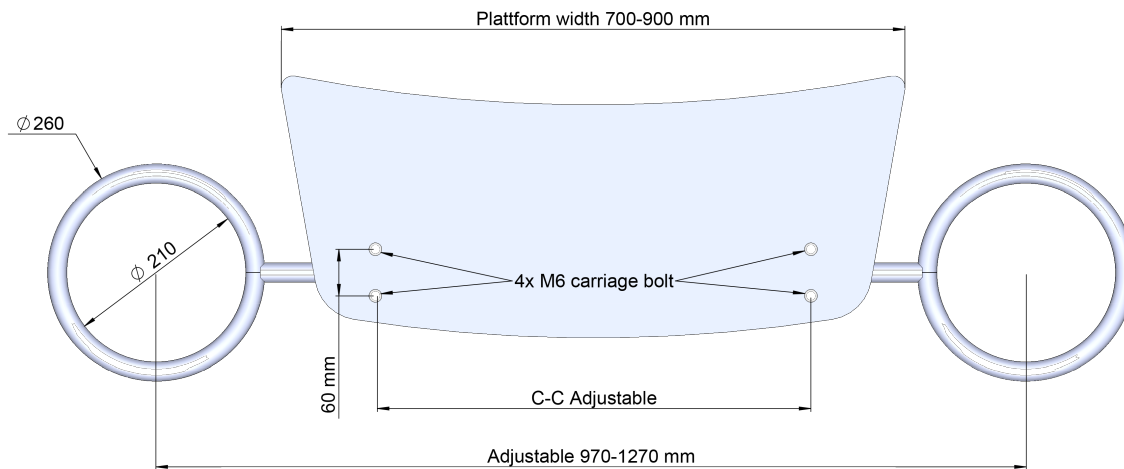
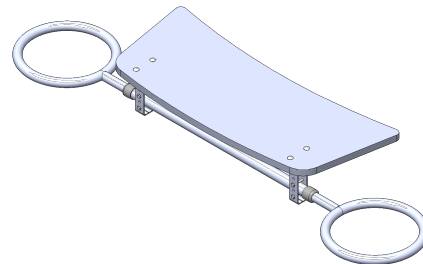
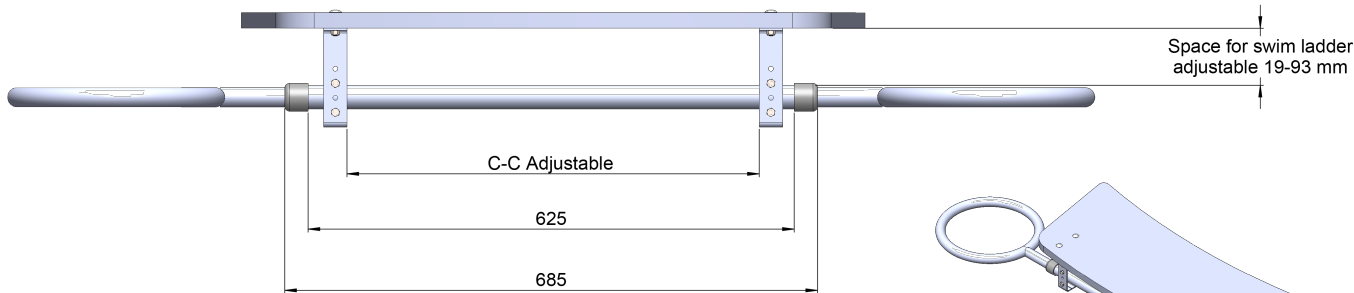
SLIM

Dinghy Rings SLIM is mounted under a narrow external swim platform up to 90 centimeters. All of the mountings are hidden underneath the platform and the rings are easily detachable. Can be combined with a ladder.

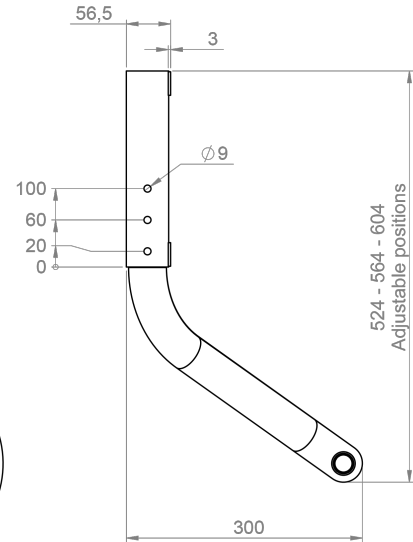
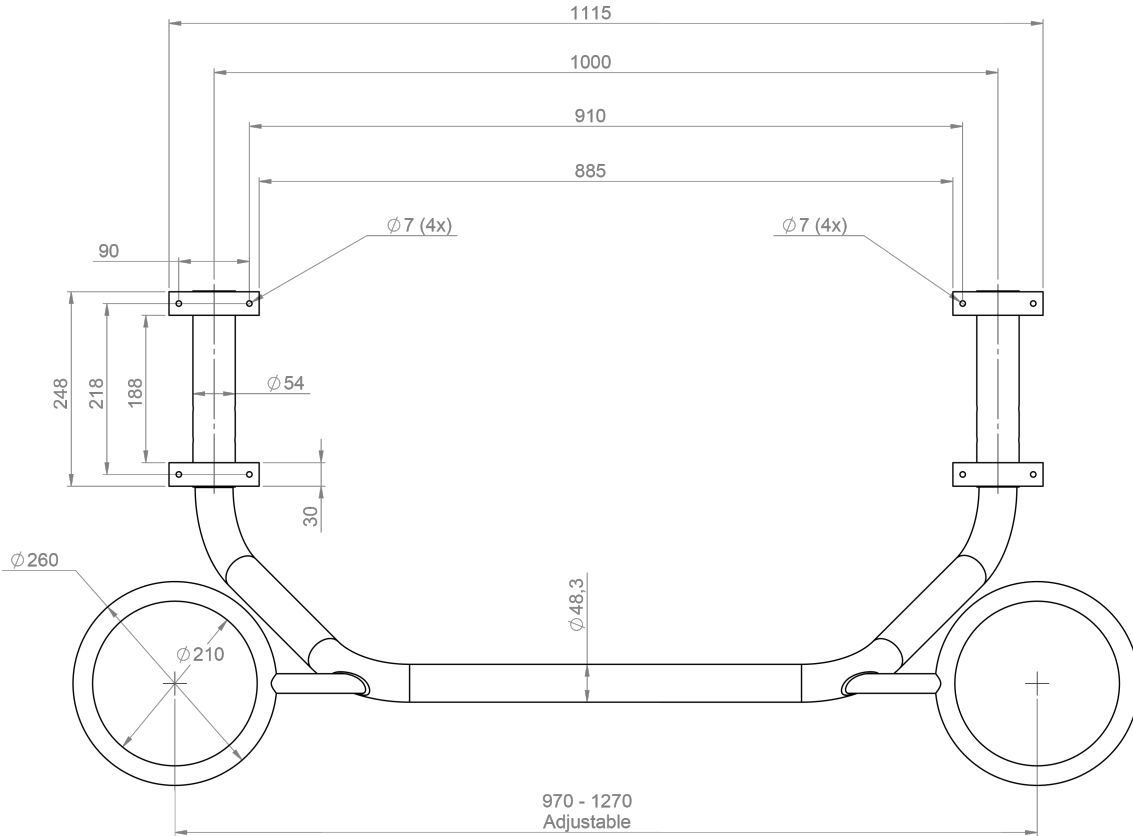
Specifications: 30/25 mm stainless steel AISI 316, Polypropen, straps in UV-resistant polyester, weight 4 kilos.

Dinghy Rings Flex





Dinghy Rings Bold





LINK

The accessory **Pontoon LINK** is to be used with inflatable dinghies without conical pontoon endings.

LINK is easy to mount on flat or light domed pontoon endings with 3M double coated adhesive tape.

Specifications: Fits Dinghy Rings FLEX, BOLD and SLIM. Made of non-marking EVA-foam, 200 x 60 mm with room for a rubbing strake. For dinghies up to 50 kilos.



Some parts of Dinghy Rings can be used for multiple purposes, such as extra fenders.



A small outboard can be kept mounted on the dinghy.

All the visible parts of Dinghy Rings are detachable, such as the rings.



DINGHY RINGS™

Imported and Distributed by:
Ocean Solutions International
Email: sales@oceansolutions.com.au
Ph: +61 7 3807 6033