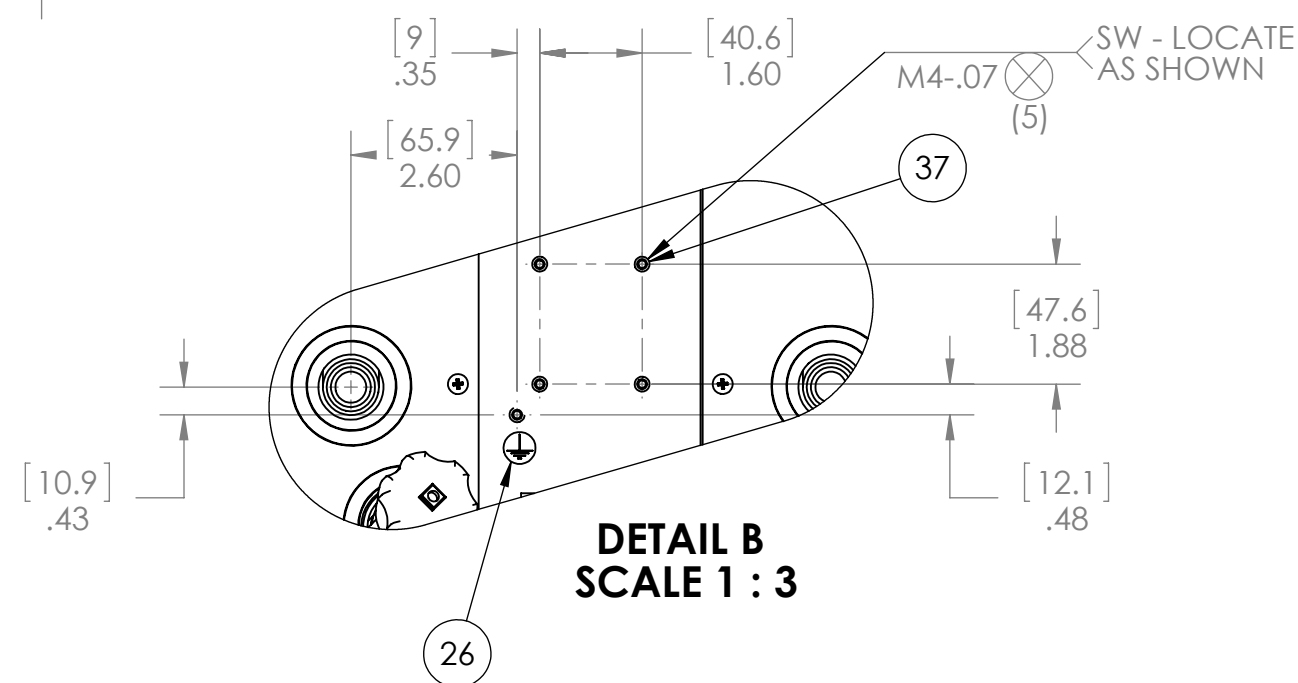
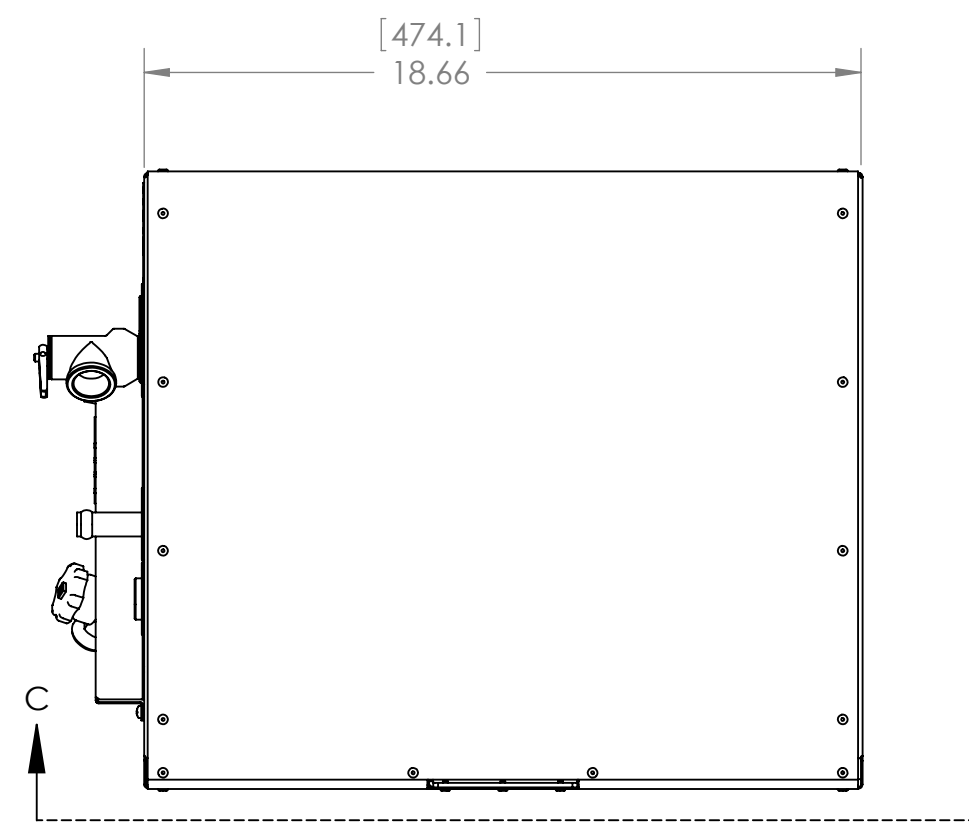
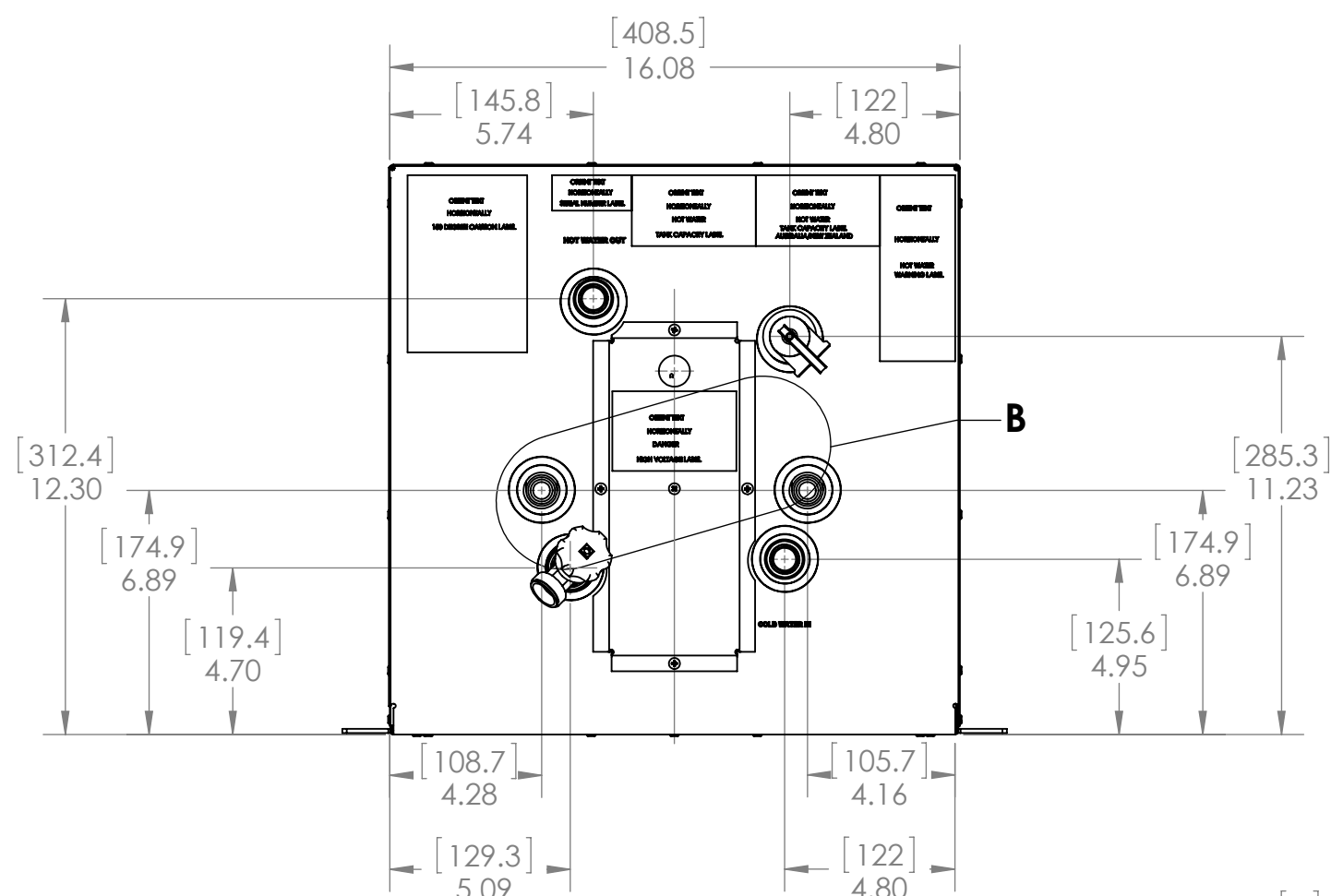


VIEW C-C



- NOTES :
1. ALL DIMS IN [] ARE IN MILLIMETERS.
 2. REMOVE ALL SHARP EDGES.
 3. WEIGHT : 26.127 lbs [11.851 kg].
 4. EXCEPT FOR DETAIL B DIMENSIONS ALL DIMENSIONS ARE FOR REFERENCE ONLY.

<small>THE INFORMATION CONTAINED IN THIS DRAWING IS THE SOLE PROPERTY OF CAMCO MFG. INC.. ANY REPRODUCTION IN PART OR AS A WHOLE WITHOUT THE WRITTEN PERMISSION OF CAMCO MFG. INC. IS PROHIBITED.</small>		CAMCO MFG. INC. <small>GREENSBORO, NC USA</small>	
<small>TOLERANCES (UNLESS SHOWN)</small> .XXX ± .005 (.13 mm) .XX ± .020 (.51 mm) X/X ± 1/32 (.8 mm) ANGLE ± 0°30' FINISH 125 √(3.2)		ASSEMBLY, WATER HEATER, 240V, FHX, S-S, 11 GALLON (AUS)	
DATE: 9/4/2013	SCALE: 1:5	SIZE: C	DRAWING NO. 1008223
DES: DES	DRN: DRN	CHK: JRB	REV. 1