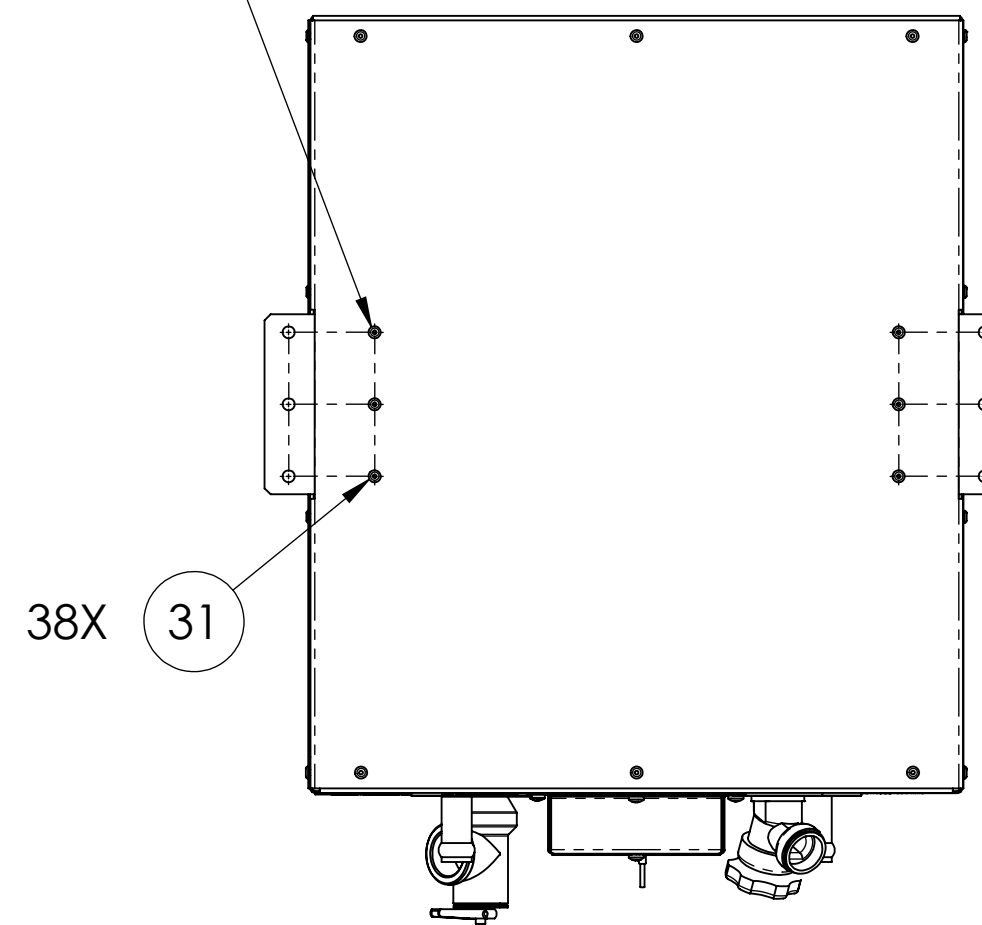
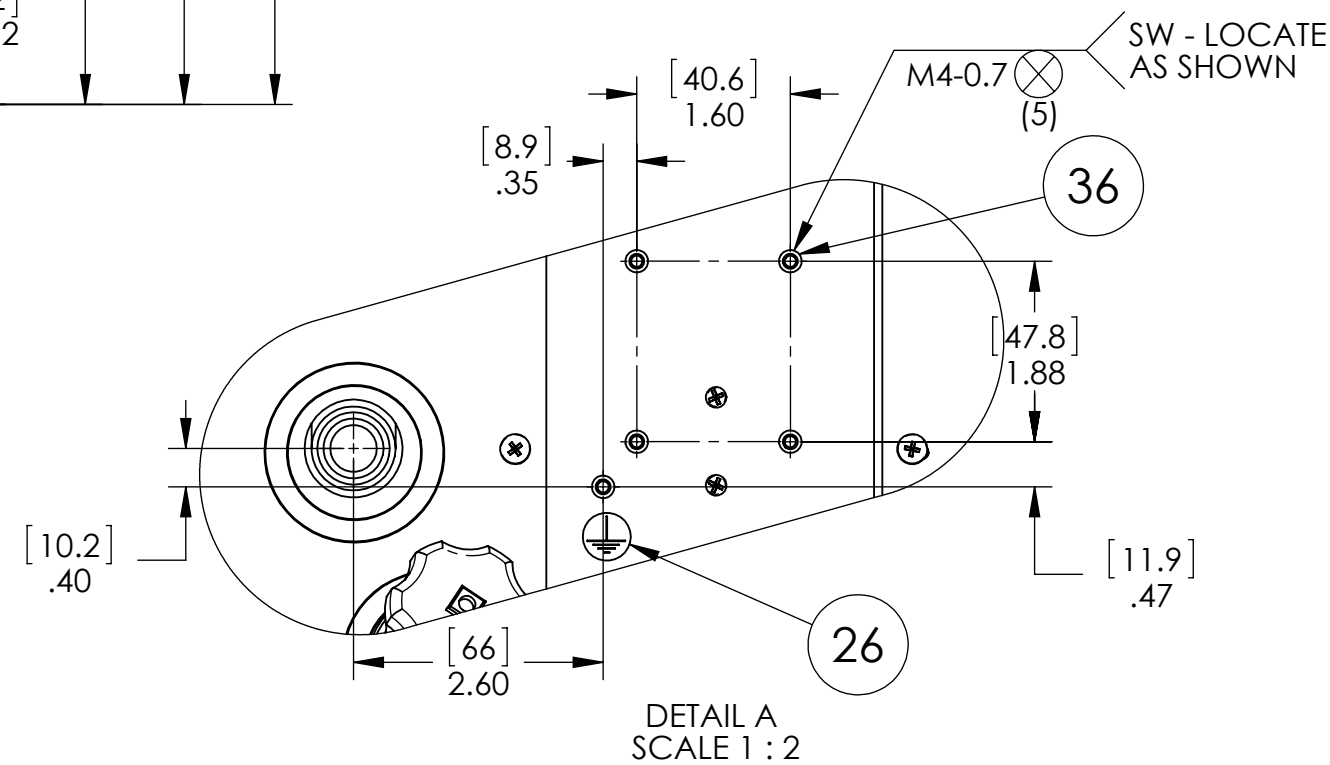
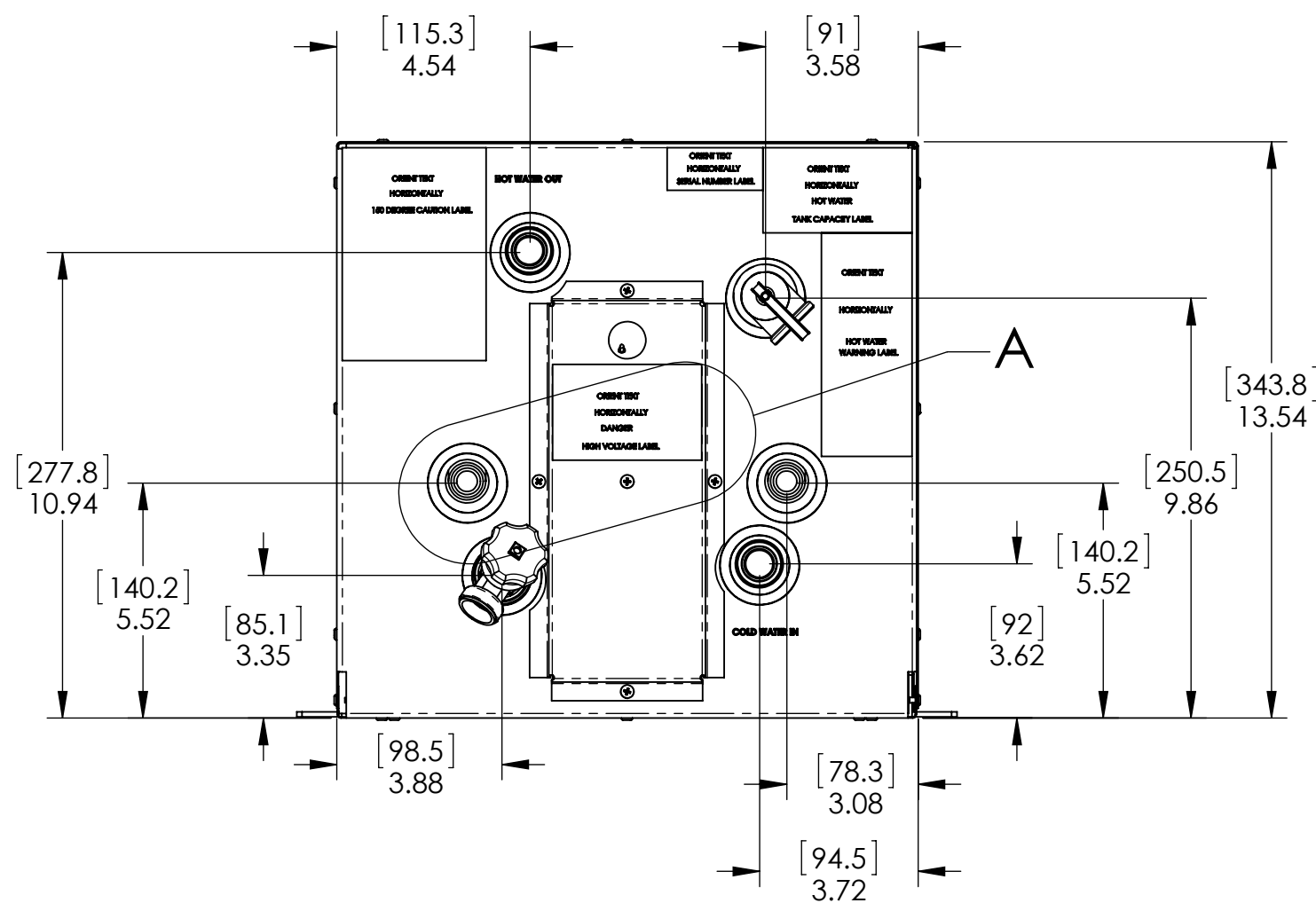


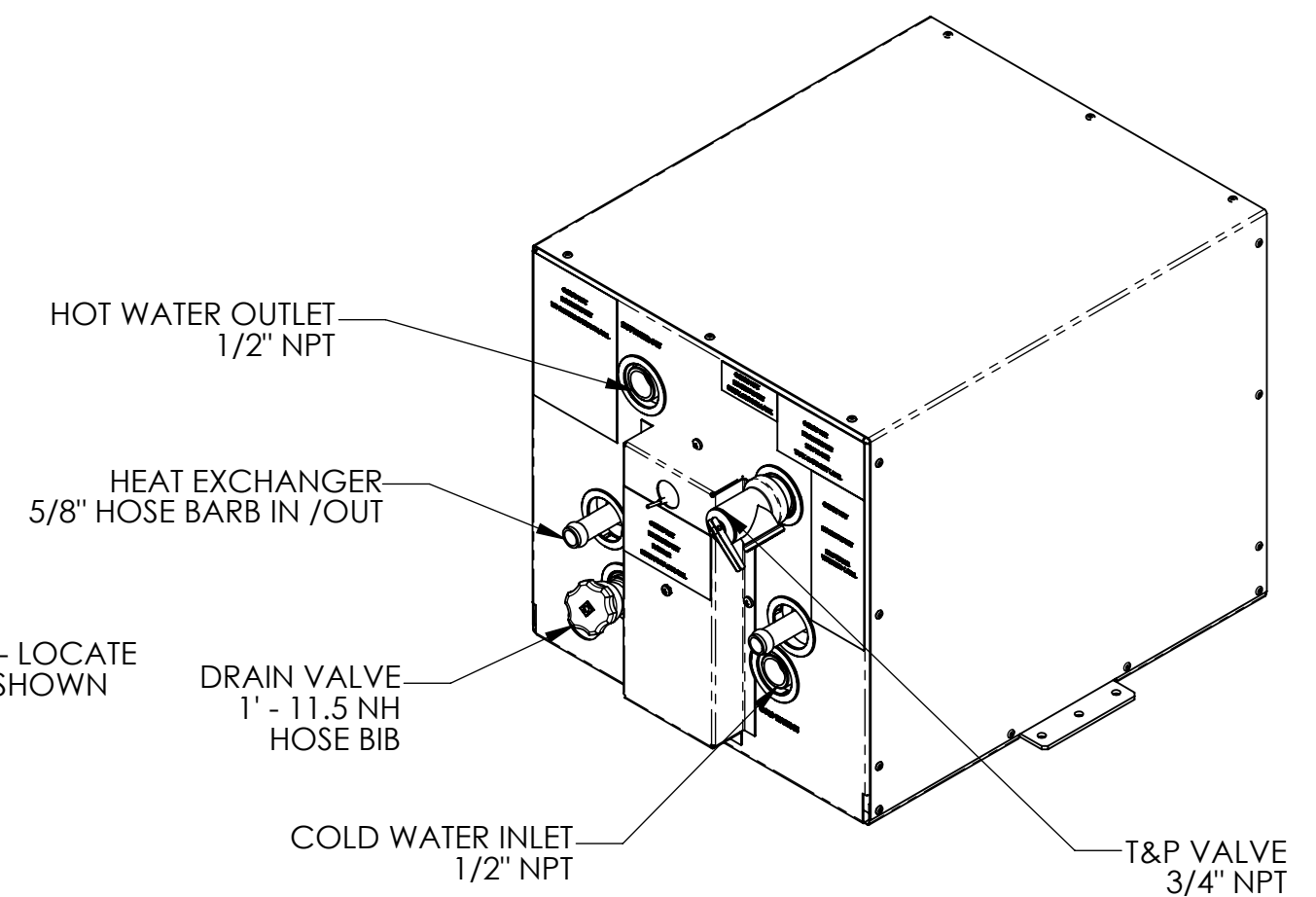
MATCH DRILL 6X Ø .138[3.5] THRU FOOT USING HOLE PATTERN IN BOTTOM COVER.



BOTTOM VIEW



DETAIL A
SCALE 1 : 2



- NOTES :
1. ALL DIMS IN [] ARE IN MILLIMETERS.
 2. REMOVE ALL SHARP EDGES.
 3. WEIGHT : 19.926 lbs [9.0383 kg].

<small>THE INFORMATION CONTAINED IN THIS DRAWING IS THE SOLE PROPERTY OF CAMCO MFG. INC., ANY REPRODUCTION IN PART OR AS A WHOLE WITHOUT THE WRITTEN PERMISSION OF CAMCO MFG. INC. IS PROHIBITED.</small>				CAMCO MFG. INC. <small>GREENSBORO, NC USA</small>	
<small>TOLERANCES (UNLESS SHOWN)</small> .XXX ± .005 (.13 mm) .XX ± .020 (.51 mm) X/X ± 1/32 (.8 mm) ANGLE ± 0°30' FINISH 125 √(3.2)		TITLE ASSEMBLY, WATER HEATER, 240V, FHX, S-S, 6 GALLON - #40610		<small>DATE:</small> 1/18/2013	<small>SCALE:</small> 1:4
<small>THIRD ANGLE PROJECTION</small> 	<small>DES</small> JRB	<small>DRN</small> JRB	<small>CHK</small> JRB	<small>SIZE</small> C	<small>DRAWING NO.</small> 1008000
					<small>REV.</small> 1